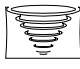
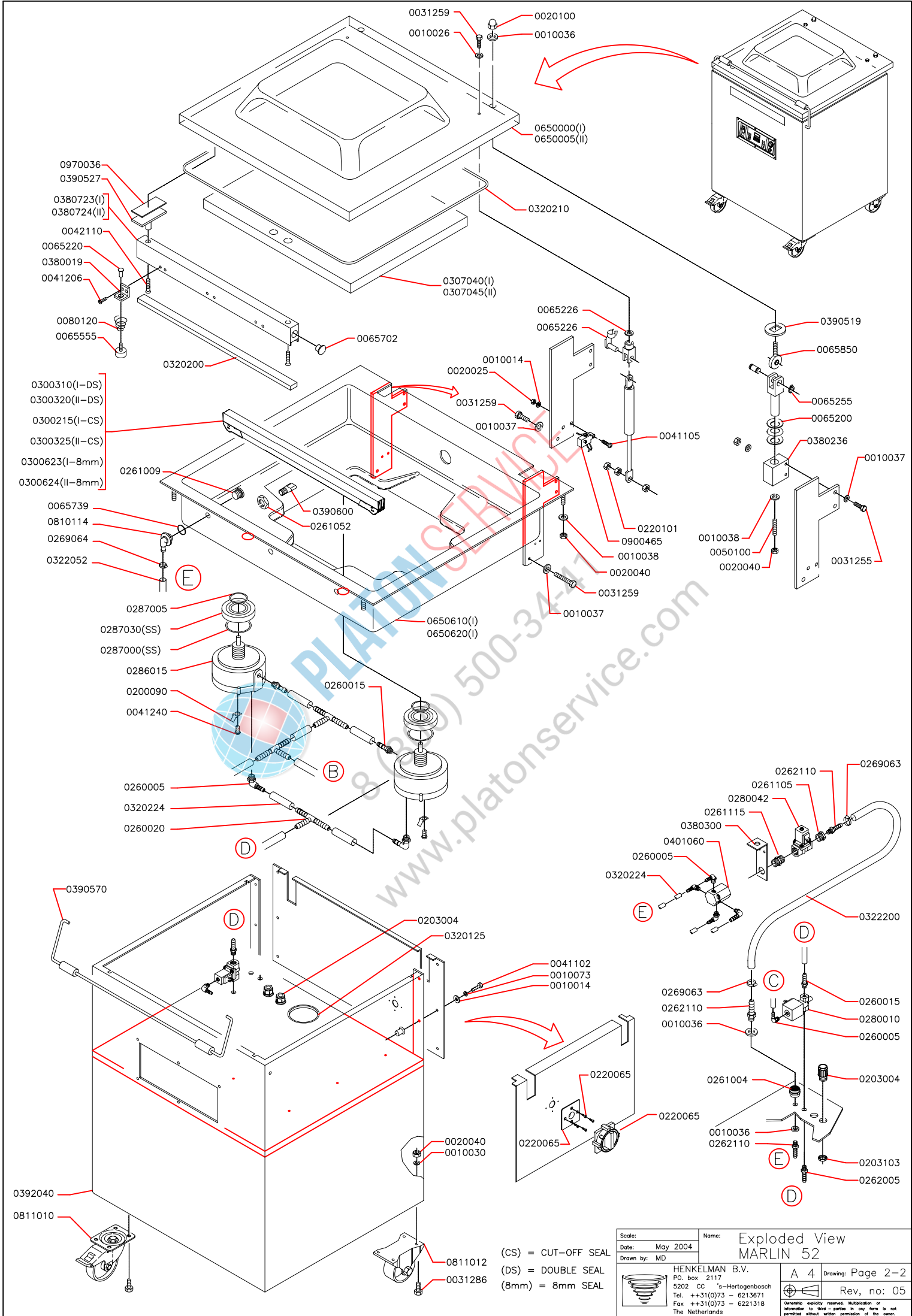


Scale:	Name: Exploded View MARLIN 52	
Date: May 2004		
Drawn by: MD		
 HENKELMAN B.V. P.O. box 2117 5202 CC 's-Hertogenbosch Tel. ++31(0)73 - 6213671 Fax ++31(0)73 - 6221318 The Netherlands	A 4 Drawing: Page 1-2 Rev. no: 04	
	Ownership explicitly reserved. Multiplication or information to third parties in any form is not permitted without written permission of the owner.	



- 0970036
- 0390527
- 0380723(I)
- 0380724(II)
- 0042110
- 0065220
- 0380019
- 0041206
- 0080120
- 0065555

- 0300310(I-DS)
- 0300320(II-DS)
- 0300215(I-CS)
- 0300325(II-CS)
- 0300623(I-8mm)
- 0300624(II-8mm)

- 0065739
- 0810114
- 0269064
- 0322052

- 0287005
- 0287030(SS)
- 0287000(SS)
- 0286015
- 0200090
- 0041240
- 0260005
- 0320224
- 0260020

- 0390570
- 0392040
- 0811010
- 0811012
- 0031286

- 0031259
- 0010026
- 0020100
- 0010036

- 0650000(I)
- 0650005(II)

- 0307040(I)
- 0307045(II)

- 0065702

- 0010014
- 0020025
- 0031259
- 0010037

- 0390600
- 0261052

- 0065226
- 0065226
- 0010014
- 0020025
- 0031259
- 0010037
- 0041105
- 0220101
- 0900465
- 0010038
- 0020040
- 0031259
- 0010037

- 0010038
- 0050100
- 0020040

- 0390519
- 0065850

- 0065255
- 0065200
- 0380236

- 0010037
- 0031255

- 0220101
- 0900465
- 0010038
- 0020040
- 0031259
- 0010037

- 0262110
- 0269063
- 0261105
- 0280042
- 0261115
- 0380300
- 0401060
- 0260005
- 0320224
- 0262110
- 0269063
- 0261105
- 0010036
- 0260015
- 0280010
- 0260005
- 0261004
- 0203004
- 0010036
- 0262110
- 0203103
- 0262005

- 0041102
- 0010073
- 0010014

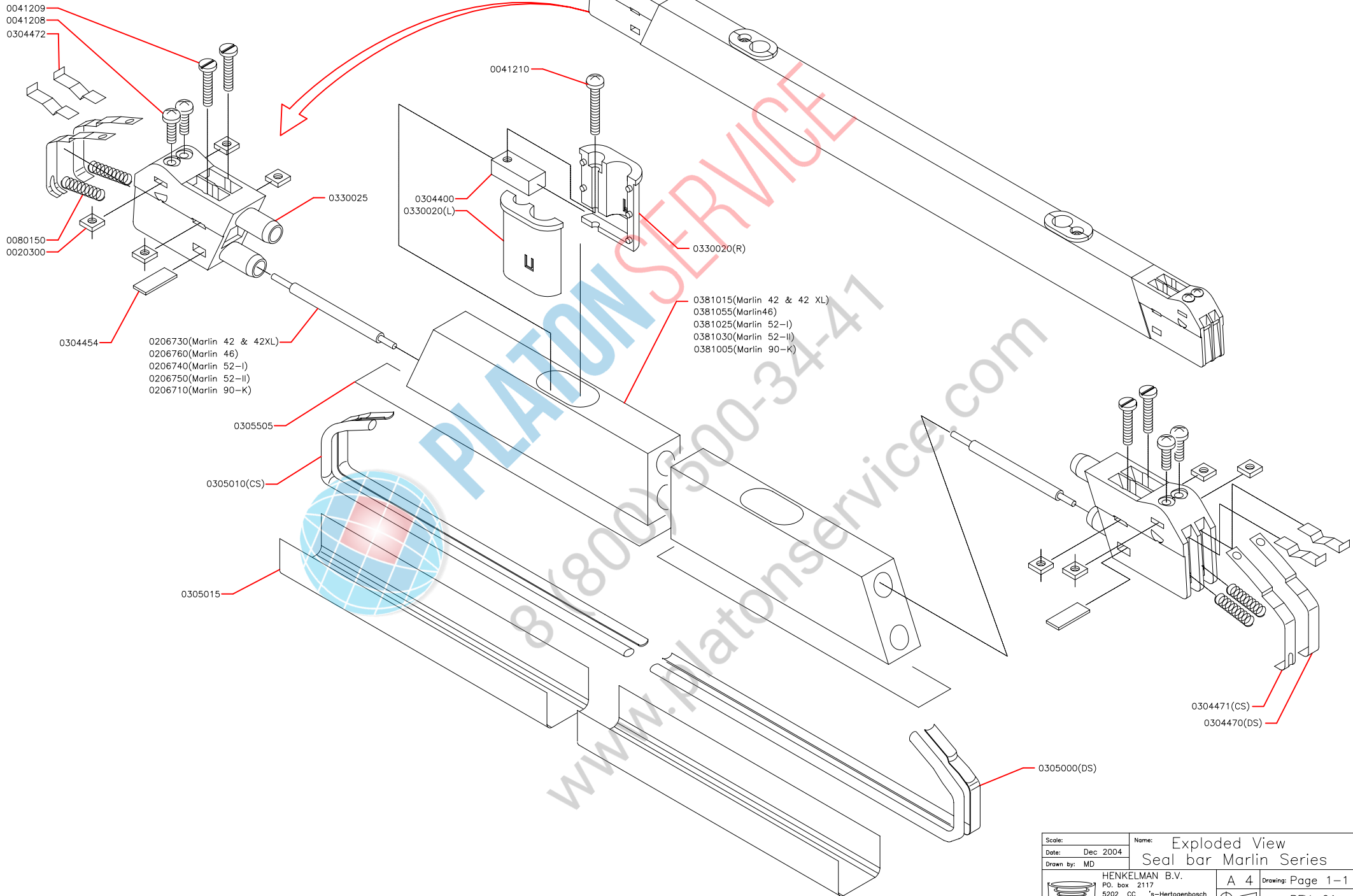
- 0220065
- 0220065

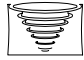

- 0020040
- 0010030

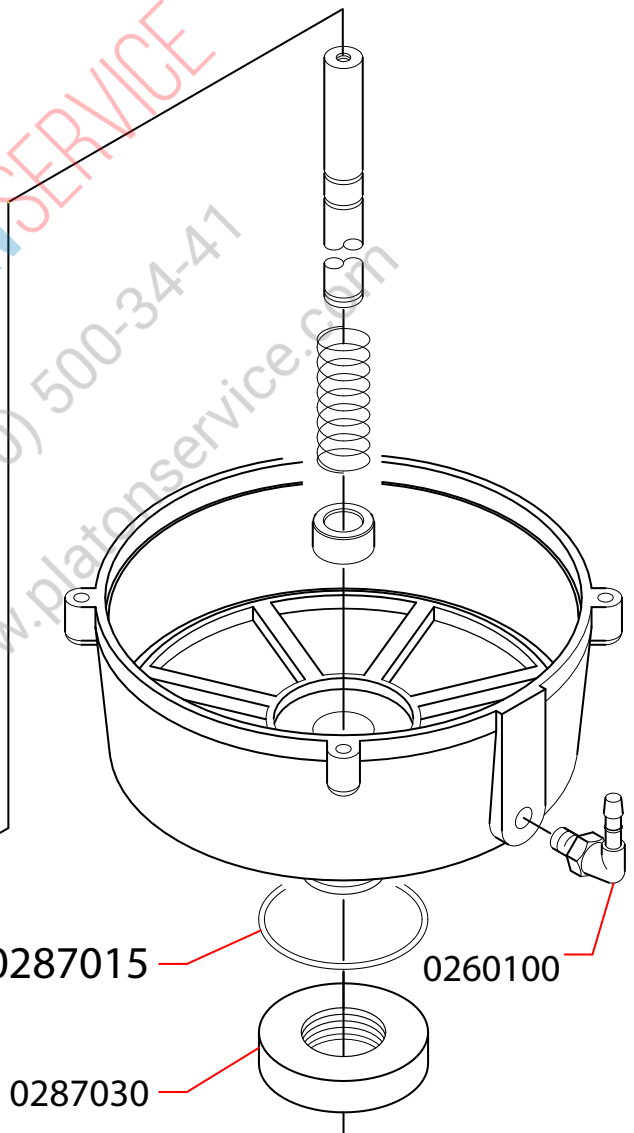
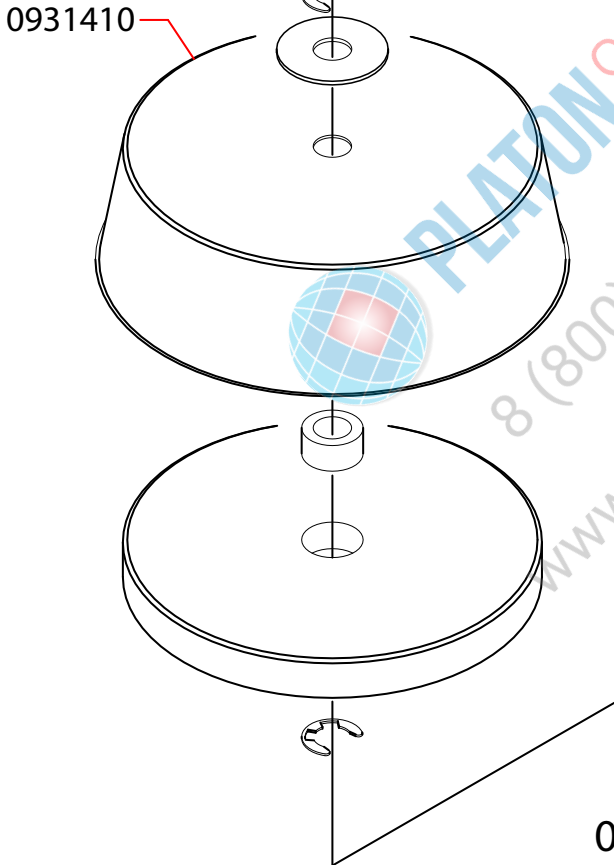
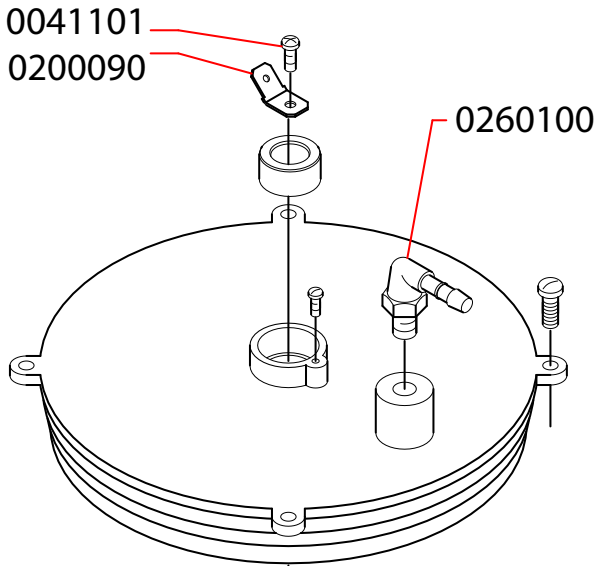
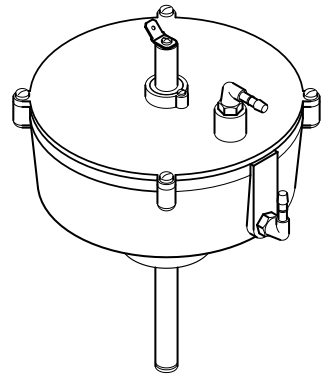
(CS) = CUT-OFF SEAL  
 (DS) = DOUBLE SEAL  
 (8mm) = 8mm SEAL

Scale:	Name: Exploded View
Date: May 2004	MARLIN 52
Drawn by: MD	
HENKELMAN B.V. P.O. box 2117 5202 CC 's-Hertogenbosch Tel: ++31(0)73 - 6213671 Fax: ++31(0)73 - 6221318 The Netherlands	
A 4	Drawing: Page 2-2
Rev. no: 05	

Overname aansprakelijkheid. Multiplicatie of informatie toelichtingen in andere vormen is niet toegestaan zonder schriftelijke toestemming van de afzender.




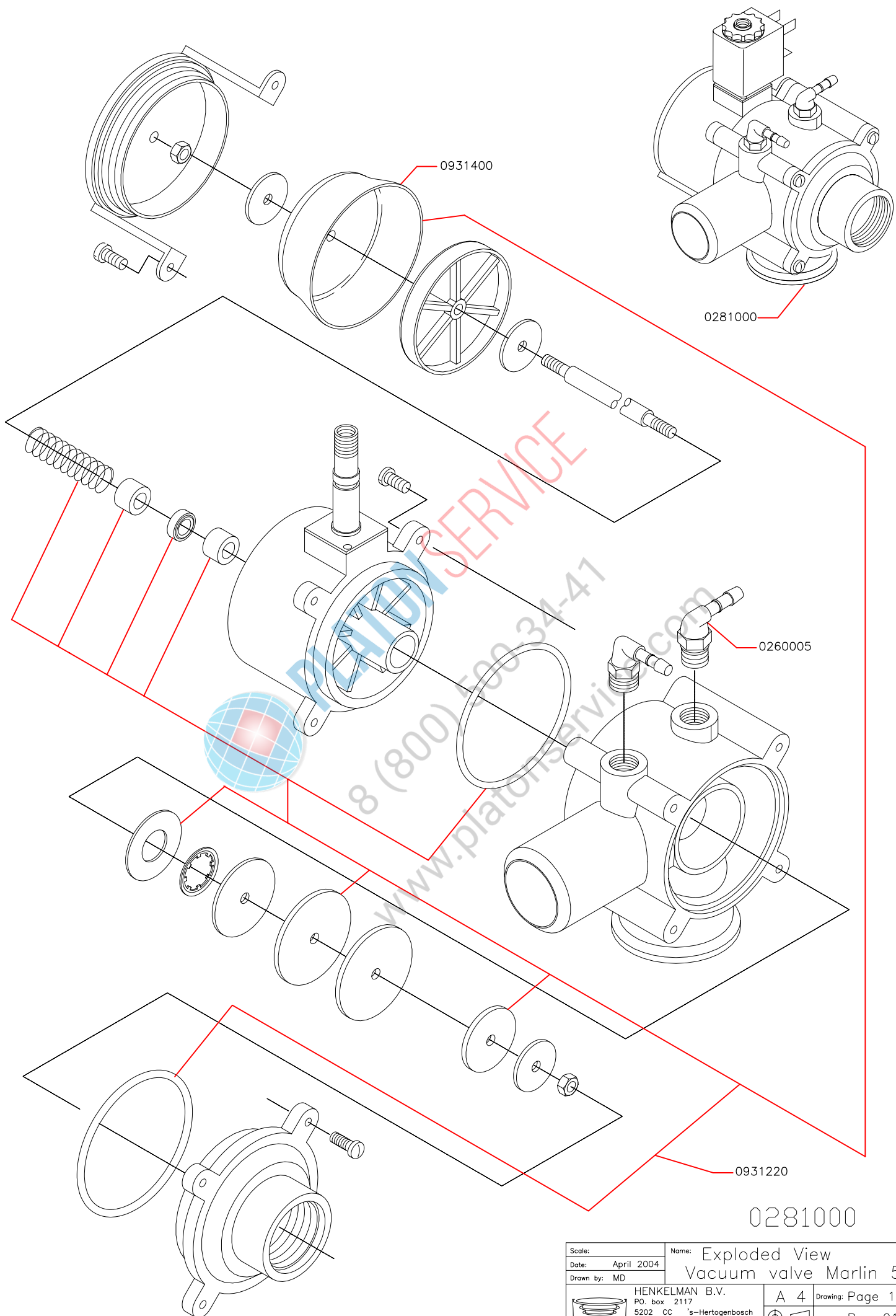
Scale:	Name:	Exploded View		
Date:	Dec 2004	Seal bar Marlin Series		
Drawn by:	MD			
	HENKELMAN B.V.			
	P.O. box 2117			A 4 Drawing: Page 1-1 REV. 01
	5202 OC s-Hertogenbosch			
	Tel. ++31(0)73 - 6213671			
Fax ++31(0)73 - 6221318				
The Netherlands		<small>Ownership explicitly reserved. Multiplication or information to third parties in any form is not permitted without written permission of the owner.</small>		



0286015 M46 / M52

0286020 M90

Scale:	Name: Exploded View
Date: April 2004	Seal cilinder Marlin 52
Drawn by: MD	
 HENKELMAN B.V. PO box 2117 5202 CC 's-Hertogenbosch Tel. ++31(0)73 - 6213671 Fax ++31(0)73 - 6213118 The Netherlands	A 4 Drawing Page 1-1 Rev.01
	<small>Ownership and liability reserved. Multiplication or alteration of these parts is only permitted in case of written permission of the name.</small>



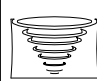
0281000

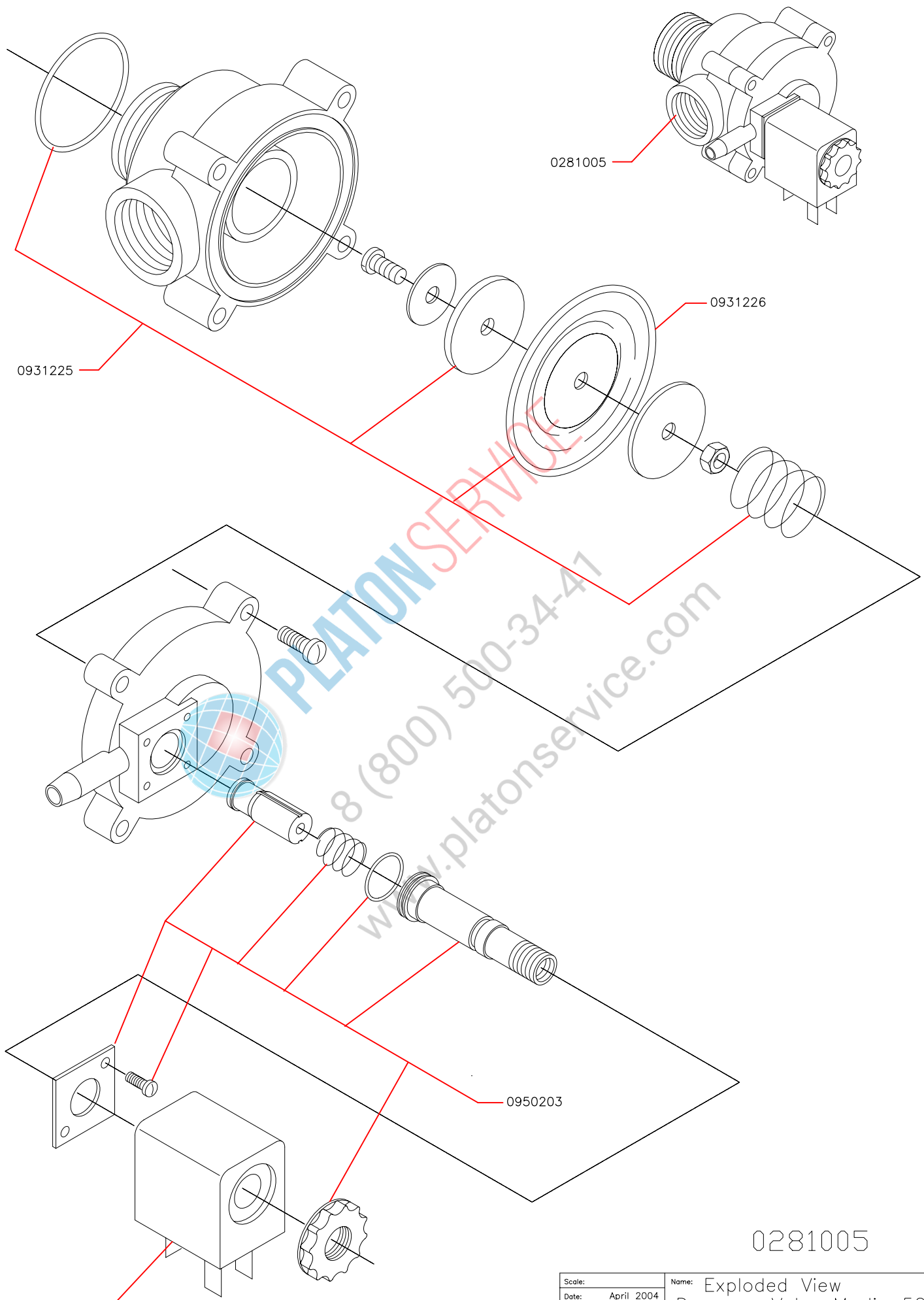
0931400

0260005

0931220

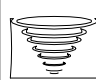
0281000

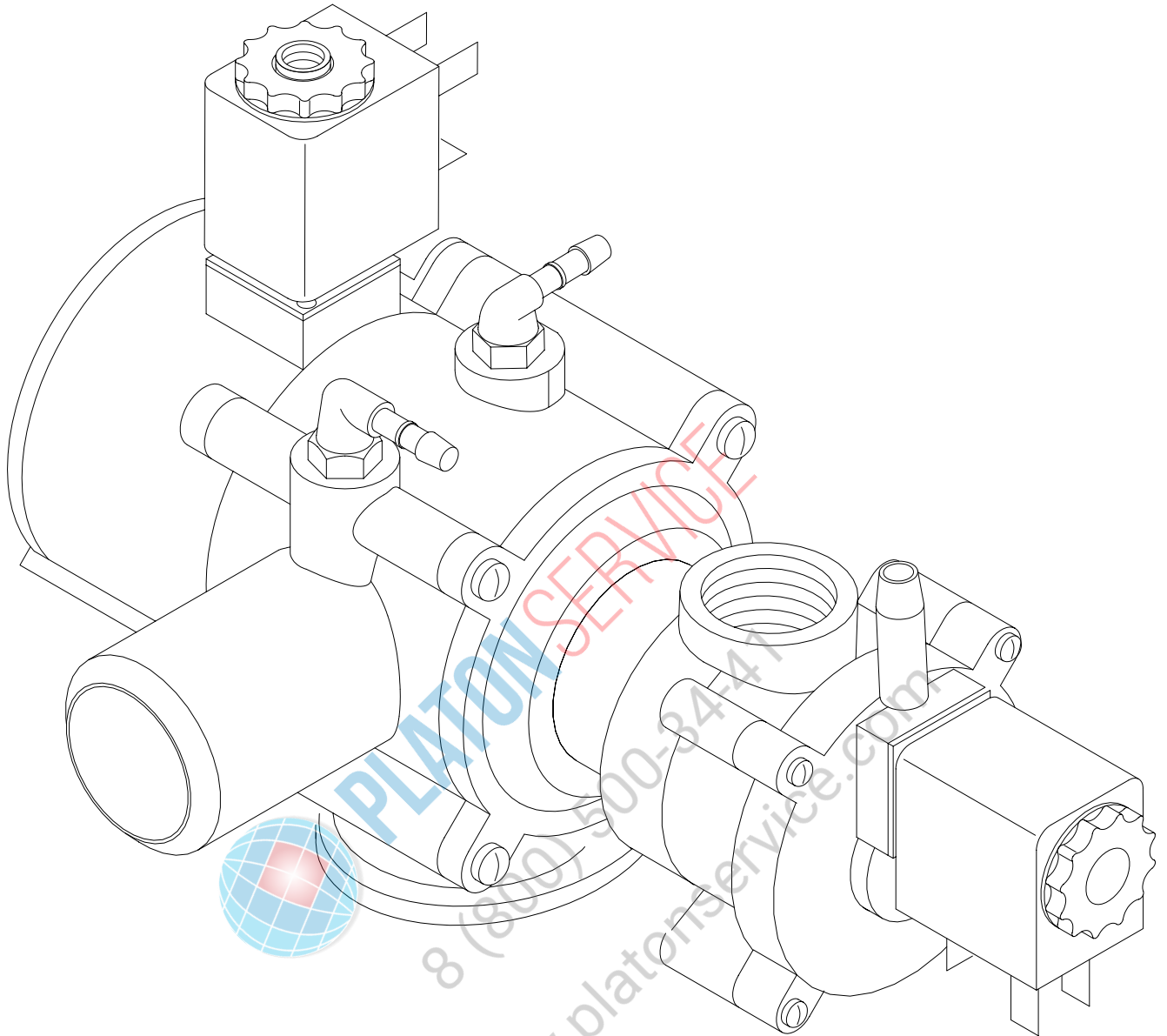
Scale:	Name: Exploded View
Date: April 2004	Vacuum valve Marlin 52
Drawn by: MD	
 HENKELMAN B.V. P.O. box 2117 5202 CC 's-Hertogenbosch Tel. ++31(0)73 - 6213671 Fax ++31(0)73 - 6221318 The Netherlands	A 4 Drawing: Page 1-3
	Rev. 01
	Ownership explicitly reserved. Multiplication or information to third parties in any form is not permitted without written permission of the owner.


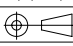


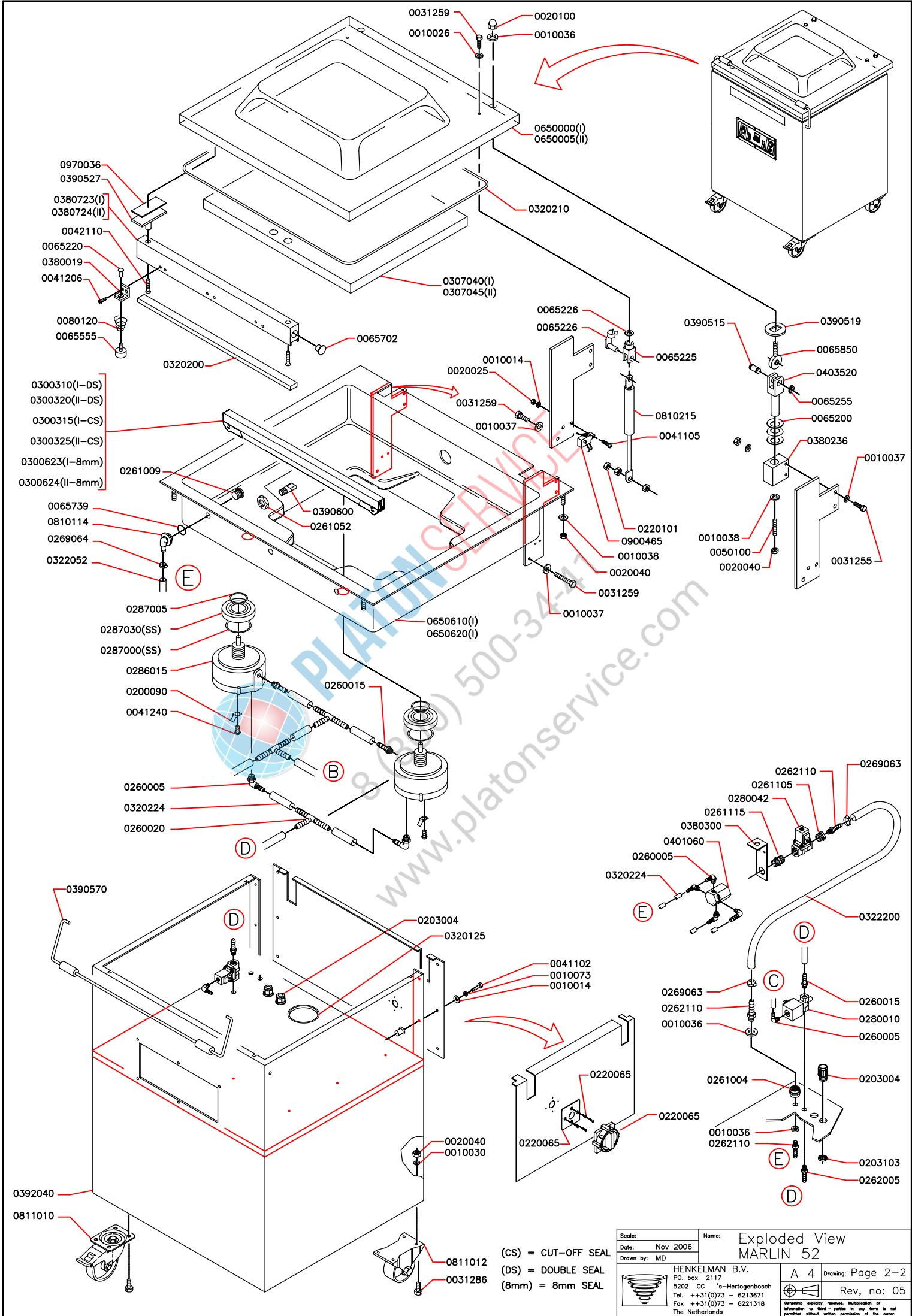
PLATON SERVICE  
 8 (800) 500-34-47  
 www.platonservice.com

0281005

Scale:	Name: Exploded View
Date: April 2004	Decomp. Valve Marlin 52
Drawn by: MD	
 HENKELMAN B.V. P.O. box 2117 5202 CC 's-Hertogenbosch Tel. ++31(0)73 - 6213671 Fax ++31(0)73 - 6221318 The Netherlands	A 4 Drawing: Page 2-3
	Rev. 01
<small>Ownership explicitly reserved. Multiplication or information to third parties in any form is not permitted without written permission of the owner.</small>	



Scale:	Name: Exploded View
Date: July 2004	Vac-Decom Valve Marlin 52
Drawn by: MD	
 HENKELMAN B.V. PO. box 2117 5202 CC 's-Hertogenbosch Tel. ++31(0)73 - 6213671 Fax ++31(0)73 - 6221318 The Netherlands	A 4 Drawing: Page 3-3
	 Ownership explicitly reserved. Multiplication or information to third parties in any form is not permitted without written permission of the owner.



(CS) = CUT-OFF SEAL  
 (DS) = DOUBLE SEAL  
 (8mm) = 8mm SEAL

Scale:	Name:	Exploded View	
Date:	Nov 2006		
Drawn by:	MD		
HENKELMAN B.V. P.O. box 2117 5202 CC 's-Hertogenbosch Tel. ++31(0)73 - 6213671 Fax ++31(0)73 - 6221318 The Netherlands		A 4	Drawing: Page 2-2
		Rev. no: 05	